

QuasarBrite™

SMT 2-High LED PCB Indicators



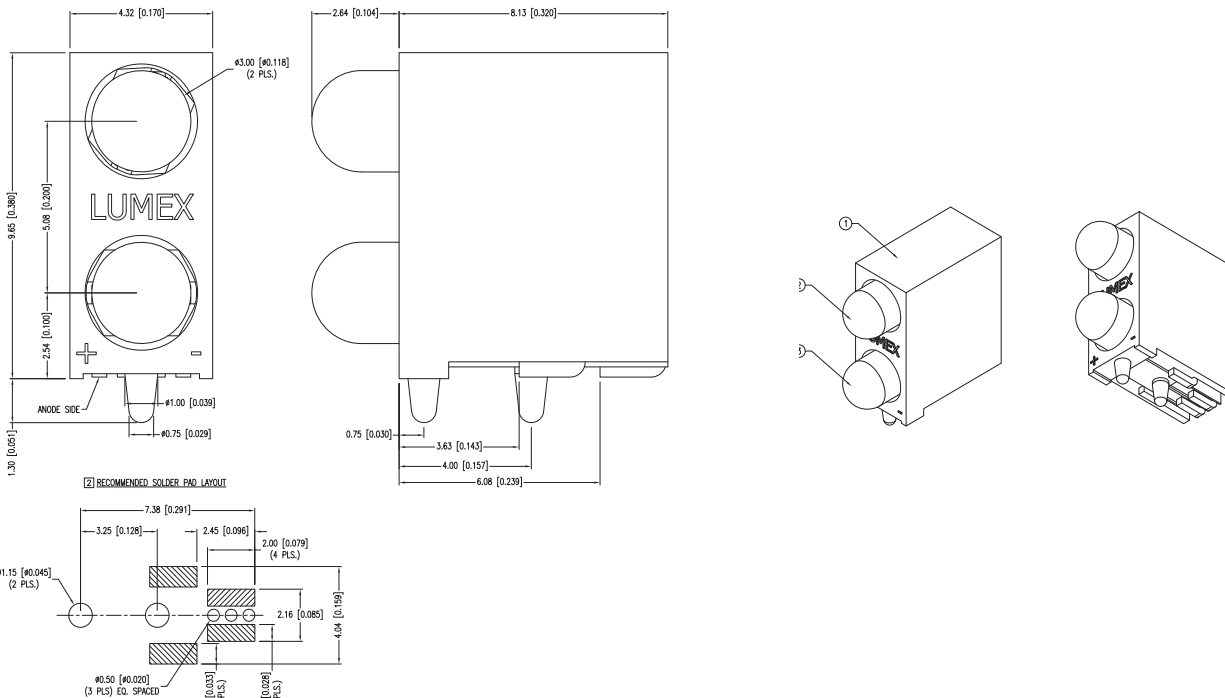
QuasarBrite™ 2-High LED PCB Indicators Combine Superior Light Performance, with Exceptional Unit Cost Savings

Features:	Benefits:
Direct replacement for the through-hole	Industry-standard 2-high
Alternative technology	Increased intensity of 50%
SMD assembly	Assembly saving of up to 25%
Available in SMD 2-high, and right angle LEDs	Unit cost savings of 50% or more (depending on volume)
Available in tape reel packaging	Production line time savings
Available in all standard color combinations	Available in single color and dual color

QuasarBrite™ SMT 2-High LED PCB Indicators

QuasarBrite™ SMF-LX240 Series

PN	Emitted Color	Chip Material	Brightness Level	Peak Wavelength (nm)	Lens Type	Typ. Vf	I _f (mA)	Typ. Intensity Output @ 20mA
SMF-LX240IID-TR	Top - Red	GaAsP	Standard	635	Red Diffused	2.0	20	30
	Bottom - Red	GaAsP	Standard	635	Red Diffused	2.0	20	30
SMF-LX240GGD-TR	Top Green	GaP	Standard	565	Green Diffused	2.2	20	30
	Bottom - Green	GaP	Standard	565	Green Diffused	2.2	20	30
SMF-LX240IGD-TR	Top - Red	GaAsP	Standard	635	Red Diffused	2.0	20	30
	Bottom - Green	GaP	Standard	565	Green Diffused	2.2	20	30



QuasarBrite™ SMT 2-High LED PCB Indicators

The QuasarBrite™ SMT 2-High LED PCB Indicators serve in the Telecommunications and Industrial Controls markets.

Markets:	Applications:
Telecommunications	Routers
Industrial Controls	Server Networks

